



LUMINAIRE TESTING LABORATORY, INC.

SUSTAINING
MEMBER
of the
IESNA

905 Harrison Street · Allentown, PA 18103 · 610-770-1044 · Fax 610-770-8912 · www.LuminaireTesting.com

LTL NUMBER: 13194

DATE: 08-12-2008

PREPARED FOR: EB FLUORESCENT COMPANY, INC.

CATALOG NUMBER: TCH 2/32

LUMINAIRE: FORMED WHITE ENAMEL STEEL HOUSING/REFLECTOR, NO ENCLOSURE.

LAMPS: TWO 32 WATT T8 LINEAR FLUORESCENT LAMPS RATED AT 2850 LUMENS EACH.

LAMP CATALOG NUMBER: PHILIPS F32T8/TL841/ALTO

BALLAST: ONE ADVANCE ICN-2P32-SC

MOUNTING: SURFACE/PENDANT

NOTE: THIS TEST REPORT WAS PRORATED TO A FOUR LAMP, EIGHT FOOT

LUMINAIRE TEST USING MEASURED DATA FROM LTL TEST NUMBER 13193.

TOTAL AS TESTED INPUT WATTS = 60.6 AT 120.0 VOLTS

TOTAL PRORATED INPUT WATTS = 121.2 AT 120.0 VOLTS

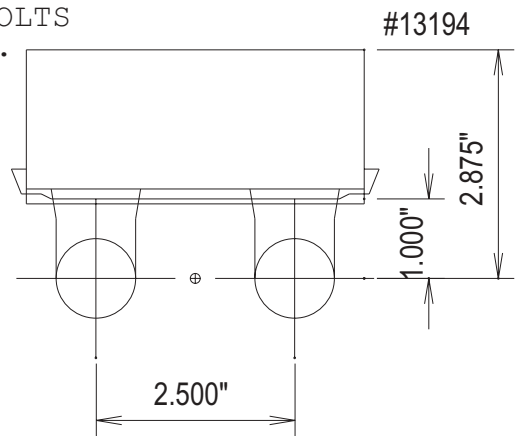
THE 0 DEGREE PLANE IS PARALLEL WITH THE LAMPS.

CANDELA DISTRIBUTION

	0.0	22.5	45.0	67.5	90.0
0	1873	1873	1873	1873	1873
5	1856	1870	1875	1886	1891
15	1790	1826	1868	1906	1924
25	1660	1729	1830	1931	1970
35	1472	1582	1775	1927	1980
45	1235	1407	1672	1858	1926
55	957	1208	1507	1743	1834
65	646	963	1326	1624	1749
75	324	691	1154	1330	1389
85	50	379	643	830	897
90	0	219	478	673	741
95	0	324	633	824	891
105	0	250	636	950	1058
115	0	171	514	692	801
125	0	92	394	625	707
135	0	22	251	440	512
145	0	0	113	249	303
155	0	0	11	74	107
165	0	0	0	0	0
175	0	0	0	0	0
180	0	0	0	0	0

FLUX

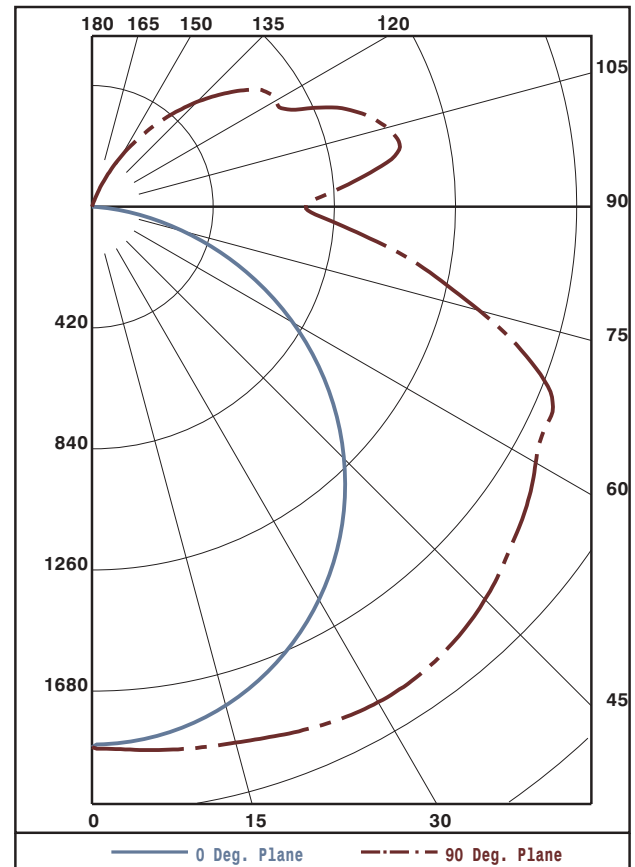
179
528
844
1099
1260
1311
1268
1058
646
596
617
449
328
189
82
17
0
0
0
0



ZONAL LUMEN SUMMARY

ZONE	LUMENS	%LAMP	%FIXT
0- 30	1551	13.6	14.8
0- 40	2650	23.2	25.3
0- 60	5221	45.8	49.9
0- 90	8193	71.9	78.2
90-120	1663	14.6	15.9
90-130	1990	17.5	19.0
90-150	2262	19.8	21.6
90-180	2279	20.0	21.8
0-180	10472	91.9	100.0

TOTAL LUMINAIRE EFFICIENCY: 91.9%
 TOTAL REFLECTANCE OF PAINT: 78.6%
 CIE TYPE: SEMI-DIRECT
 PLANE: 0-DEG 90-DEG
 SPACING CRITERIA: 1.2 1.6



Approved By: MG



LUMINAIRE TESTING LABORATORY, INC.

SUSTAINING MEMBER of the IESNA

905 Harrison Street · Allentown, PA 18103 · 610-770-1044 · Fax 610-770-8912 · www.LuminaireTesting.com

LTL NUMBER: 13194

DATE: 08-12-2008

PREPARED FOR: EB FLUORESCENT COMPANY, INC.

COEFFICIENTS OF UTILIZATION - ZONAL CAVITY METHOD
EFFECTIVE FLOOR CAVITY REFLECTANCE 0.20

Table with 15 columns (RC, RW, and 14 numerical values) and 11 rows (0-10).

PLANE: 0-DEG 90-DEG
LUMINOUS LENGTH: 96.000 4.250
HEIGHT OF SIDE: 1.500 1.500

Table with 4 columns (ANGLE IN DEG, AVERAGE 0-DEG, AVERAGE 45-DEG, AVERAGE 90-DEG) and 6 rows (0, 45, 55, 65, 75, 85).



LUMINAIRE TESTING LABORATORY, INC.

SUSTAINING MEMBER of the IESNA

905 Harrison Street · Allentown, PA 18103 · 610-770-1044 · Fax 610-770-8912 · www.LuminaireTesting.com

LTL NUMBER: 13194
PREPARED FOR: EB FLUORESCENT COMPANY, INC.

DATE: 08-12-2008

CANDELA DISTRIBUTION

Table with 6 columns of candela values for various angles from 0.0 to 180 degrees.

ZONAL LUMEN SUMMARY

Table with 2 columns showing lumen values for various zones from 0-5 to 175-180 degrees.

THIS TEST WAS CONDUCTED USING RELATIVE PHOTOMETRY TECHNIQUES ACCORDING TO STANDARD IESNA PROCEDURES. THE USER MUST THEREFORE USE CAUTION IN THE FOLLOWING SITUATIONS: 1) THIS TEST WAS PERFORMED USING A SPECIFIC BALLAST/LAMP COMBINATION. EXTRAPOLATION OF THESE DATA FOR OTHER BALLAST/LAMP COMBINATIONS MAY PRODUCE ERRONEOUS RESULTS. 2) ACCORDING TO IESNA PROCEDURES, THE BALLAST(S) AND LAMP(S) ARE PRESUMED TO PRODUCE 100% OF RATED OUTPUT. AN APPROPRIATE BALLAST FACTOR MUST BE APPLIED TO THE LUMEN OUTPUT RATINGS AND LUMINOUS INTENSITY VALUES GIVEN. 3) THIS TEST WAS CONDUCTED IN A CONTROLLED LABORATORY ENVIRONMENT WHERE THE AMBIENT TEMPERATURE WAS HELD AT 25°C ±1°C. FIELD PERFORMANCE MAY DIFFER PARTICULARLY IN REGARDS TO CHANGE IN LUMINOUS OUTPUT AS A RESULT OF DIFFERENCE IN AMBIENT TEMPERATURE AND METHOD OF MOUNTING THE LUMINAIRE.