



LUMINAIRE TESTING LABORATORY, INC.

SUSTAINING MEMBER of the IESNA

905 Harrison Street · Allentown, PA 18103 · 610-770-1044 · Fax 610-770-8912 · www.LuminaireTesting.com

LTL NUMBER: 13198

DATE: 09-12-2008

PREPARED FOR: EB FLUORESCENT COMPANY, INC.

CATALOG NUMBER: HOC 2/96

LUMINAIRE: FORMED WHITE ENAMEL STEEL HOUSING/REFLECTOR, NO ENCLOSURE.

LAMPS: TWO 60 WATT T12 HIGH OUTPUT LINEAR FLUORESCENT LAMPS RATED AT 4050 LUMENS EACH.

LAMP CATALOG NUMBER: PHILIPS F48T12/CW/HO/ALTO

BALLAST: ONE KEYSTONE TECHNOLOGIES KTEB-2110-1-TP-PIC

MOUNTING: PENDANT

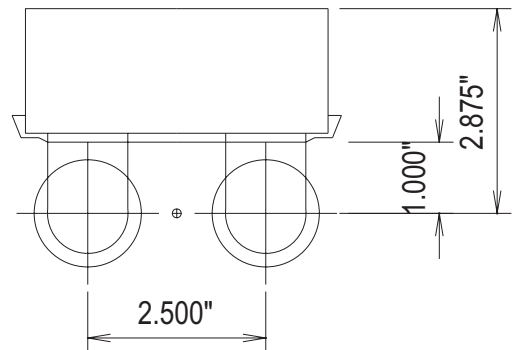
NOTE: THIS TEST REPORT WAS PRORATED TO A TWO LAMP, EIGHT FOOT LUMINAIRE USING TWO PHILIPS F96T12/CW/HO/EW/ALTO LAMPS RATED AT 8000 LUMENS EACH. TEST REPORT WAS PRORATED USING MEASURED DATA FROM LTL TEST NUMBER 13197.

#13198

TOTAL AS TESTED INPUT WATTS =110.9 AT 120.0 VOLTS

TOTAL PRORATED INPUT WATTS = 221.8 AT 120.0 VOLTS

THE 0 DEGREE PLANE IS PARALLEL WITH THE LAMPS.



CANDELA DISTRIBUTION

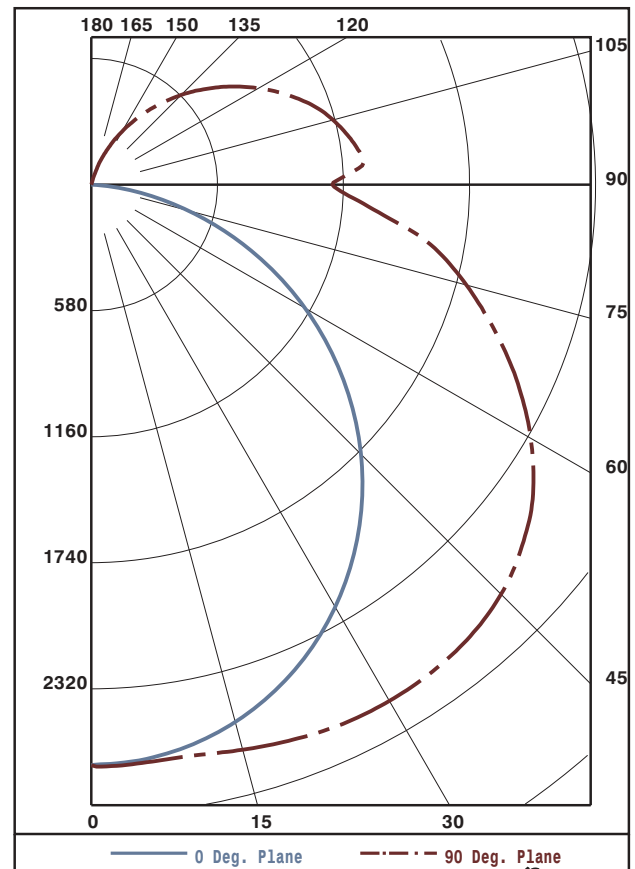
FLUX

Angle	0.0	22.5	45.0	67.5	90.0	FLUX
0	2672	2672	2672	2672	2672	
5	2657	2659	2659	2668	2672	254
15	2560	2570	2608	2668	2692	741
25	2371	2410	2554	2687	2738	1179
35	2098	2203	2454	2659	2736	1526
45	1754	1945	2297	2570	2666	1743
55	1352	1644	2078	2380	2482	1794
65	912	1310	1765	2063	2165	1653
75	460	930	1365	1676	1787	1346
85	76	518	915	1198	1302	912
90	0	324	714	1005	1109	
95	0	348	804	1139	1257	776
105	0	265	708	1036	1151	683
115	0	197	576	875	985	532
125	0	135	445	694	787	375
135	0	72	314	508	583	231
145	0	13	185	325	380	114
155	0	0	65	154	189	37
165	0	0	0	10	25	3
175	0	0	0	0	0	0
180	0	0	0	0	0	0

ZONAL LUMEN SUMMARY

ZONE	LUMENS	%LAMP	%FIXT
0- 30	2174	13.6	15.6
0- 40	3700	23.1	26.6
0- 60	7237	45.2	52.1
0- 90	11149	69.7	80.2
90-120	1990	12.4	14.3
90-130	2365	14.8	17.0
90-150	2709	16.9	19.5
90-180	2750	17.2	19.8
0-180	13898	86.9	100.0

TOTAL LUMINAIRE EFFICIENCY: 86.9%
TOTAL REFLECTANCE OF PAINT: 86.9%
CIE TYPE: SEMI-DIRECT
PLANE: 0-DEG 90-DEG
SPACING CRITERIA: 1.2 1.6



Approved By: *MG*



LUMINAIRE TESTING LABORATORY, INC.

SUSTAINING MEMBER of the IESNA

905 Harrison Street · Allentown, PA 18103 · 610-770-1044 · Fax 610-770-8912 · www.LuminaireTesting.com

LTL NUMBER: 13198

DATE: 09-12-2008

PREPARED FOR: EB FLUORESCENT COMPANY, INC.

COEFFICIENTS OF UTILIZATION - ZONAL CAVITY METHOD
EFFECTIVE FLOOR CAVITY REFLECTANCE 0.20

Table with 17 columns (RC, RW, and 16 numerical values) and 11 rows (0-10).

PLANE: 0-DEG 90-DEG
LUMINOUS LENGTH: 96.000 4.500
HEIGHT OF SIDE: 1.875 1.875

Table with 4 columns (ANGLE IN DEG, AVERAGE 0-DEG, AVERAGE 45-DEG, AVERAGE 90-DEG) and 5 rows (0, 45, 55, 65, 75, 85).



LUMINAIRE TESTING LABORATORY, INC.

SUSTAINING MEMBER of the IESNA

905 Harrison Street · Allentown, PA 18103 · 610-770-1044 · Fax 610-770-8912 · www.LuminaireTesting.com

LTL NUMBER: 13198
PREPARED FOR: EB FLUORESCENT COMPANY, INC.

DATE: 09-12-2008

CANDELA DISTRIBUTION

Table with 6 columns of candela values for various angles from 0.0 to 180.0.

ZONAL LUMEN SUMMARY

Table with 2 columns showing lumen values for various zones from 0-5 to 175-180.

THIS TEST WAS CONDUCTED USING RELATIVE PHOTOMETRY TECHNIQUES ACCORDING TO STANDARD IESNA PROCEDURES. THE USER MUST THEREFORE USE CAUTION IN THE FOLLOWING SITUATIONS: 1) THIS TEST WAS PERFORMED USING A SPECIFIC BALLAST/LAMP COMBINATION. EXTRAPOLATION OF THESE DATA FOR OTHER BALLAST/LAMP COMBINATIONS MAY PRODUCE ERRONEOUS RESULTS. 2) ACCORDING TO IESNA PROCEDURES, THE BALLAST(S) AND LAMP(S) ARE PRESUMED TO PRODUCE 100% OF RATED OUTPUT. AN APPROPRIATE BALLAST FACTOR MUST BE APPLIED TO THE LUMEN OUTPUT RATINGS AND LUMINOUS INTENSITY VALUES GIVEN. 3) THIS TEST WAS CONDUCTED IN A CONTROLLED LABORATORY ENVIRONMENT WHERE THE AMBIENT TEMPERATURE WAS HELD AT 25°C ±1°C. FIELD PERFORMANCE MAY DIFFER PARTICULARLY IN REGARDS TO CHANGE IN LUMINOUS OUTPUT AS A RESULT OF DIFFERENCE IN AMBIENT TEMPERATURE AND METHOD OF MOUNTING THE LUMINAIRE.